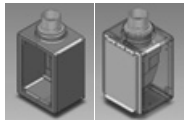


Stand Alone Mounting Kit Installation Guide

APPLICATIONS

Use the Stand Alone Mounting Kit when the standard Hide-A-Hose inlet will not fit inside the wall cavity.



Mounting applications are:

- Cabinets
- Closets
- External Walls

IMPORTANT!

Read the standard Hide-A-Hose installation guide *before* installing the Stand Alone Mounting Kit. (The inlet valve and piping installation procedure for the Stand Alone Mounting Kit and the standard Hide-A-Hose system are identical.)

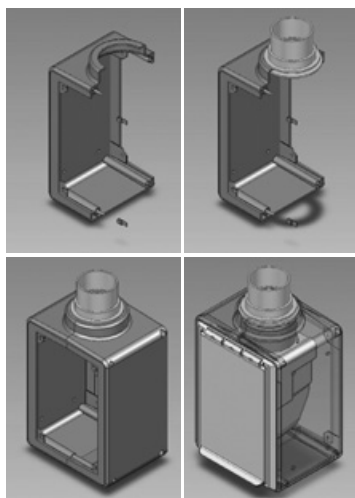
ASSEMBLY*

1. Read this installation guide in its entirety before beginning.
2. Find the flanged pipefitting and two halves of the inlet valve housing in the kit.
3. Slide the flange of the pipefitting into one of the valve housing halves.
4. Slide the other half of the valve housing over the pipefitting.
5. Fasten the two valve housing halves together with two kit-included screws inserted into the two larger screw holes on both sides of the housing.

Note: There are four screw holes on each side of the valve housing. Insert two screws into the two *larger* screw holes on each side of the housing.

6. Install the inlet valve into the housing, as you would a standard rough-in frame, using the four kit-included screws.

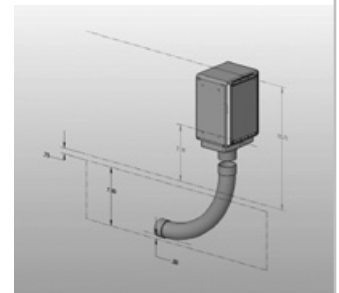
*To mount the side of the valve housing to a wall, use an angle driver. If no angle driver is available, leave the inlet valve housing disassembled and first screw one half of the housing to the wall before assembling it (this method will involve using only two screws to fasten the two valve housing halves together from the exposed side).



INSTALLATION – CABINET

Vertical Installation

In a crawl space or unfinished basement, the inlet valve can be installed vertically. Using wood screws, secure the bottom of the valve housing to the cabinet floor. If the valve housing will not secure to the cabinet floor, secure it to the cabinet wall. (Use a shim if the valve-housing door will not clear the cabinet door and hinge.)

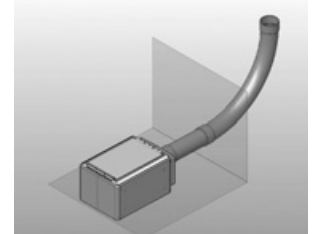
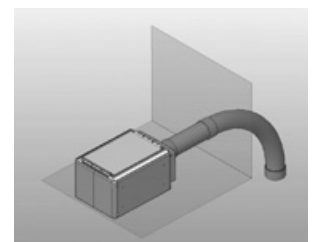


IMPORTANT!

In new construction homes, run the pipe under the house or unfinished basement at the trim stage rather than the rough-in stage, since cabinet location has not yet been determined.

Horizontal Installation

In finished basements or concrete-slab homes, the inlet valve can be installed horizontally. (The 90-degree bend can be turned to run the pipe up or down inside the wall cavity.)



INSTALLATION – EXTERNAL WALL

To mount the back of the inlet valve housing to the outside of a wall, use the screw holes on the back of the housing.

