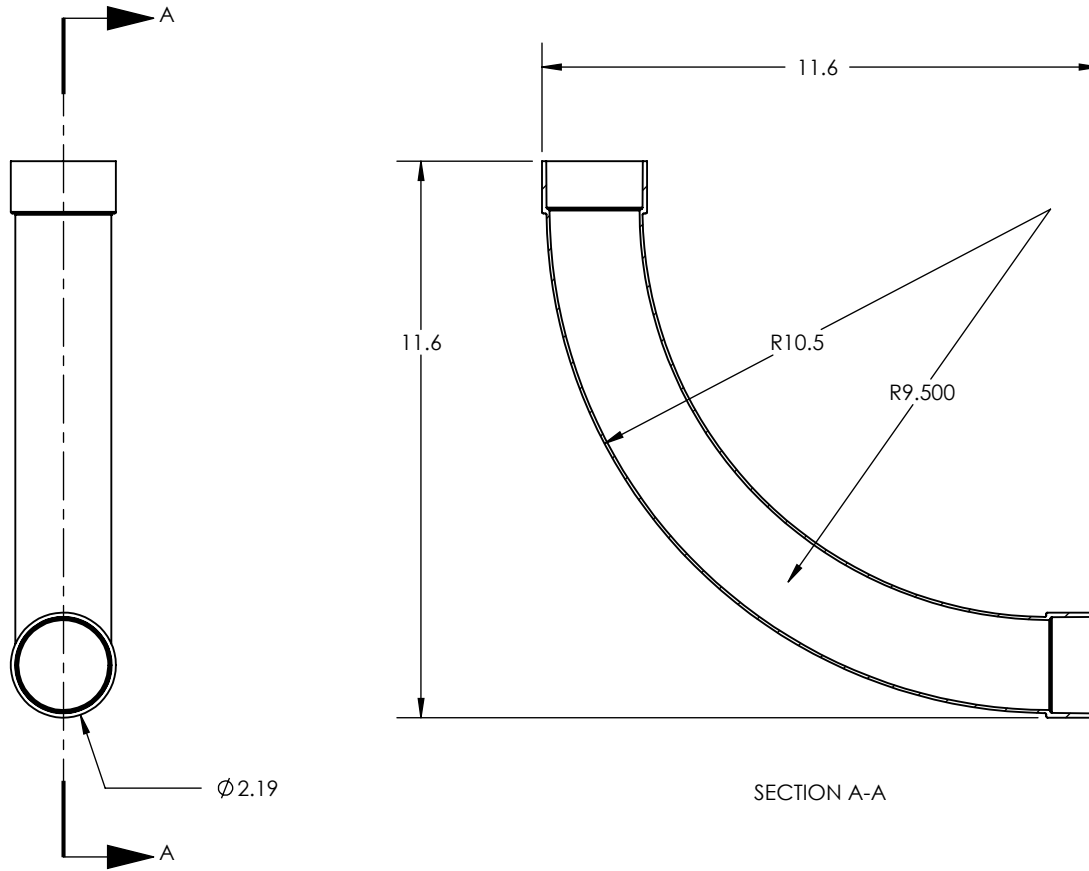


THE PIPE SHALL BE PERMANENTLY MARKED WITH LETTERING AT LEAST .250" HIGH AS SHOWN BELOW:

HIDE-A-HOSE ASTM F 2158 2 INCH PVC VACUUM TUBING



SECTION A-A

90° SWEEP